

RIGGING GUIDE

HIT THE WATER RUNNING

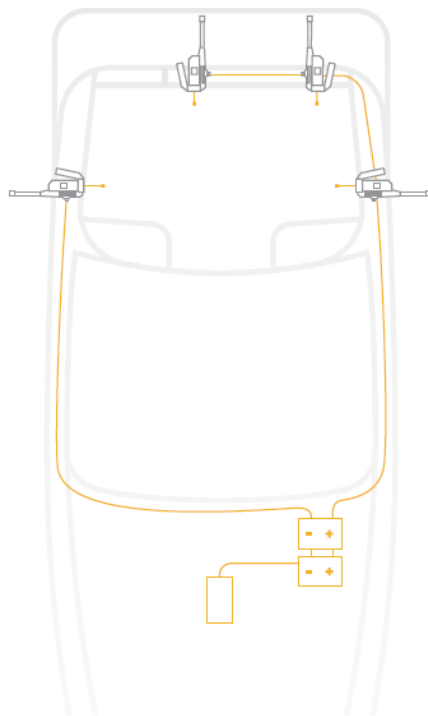
When you're thinking about where to mount your electric downrigger, your first consideration should be where it will be easiest to access, observe and operate. Ask yourself if you'll be able to see your rod, and react quickly to strikes. If you're mounting multiple downriggers, will you be able to get a good trolling spread? Plan your setup accordingly.

POWER UP

- When operating multiple electric downriggers, run a maximum of two per dedicated battery.
- The grounded electronics on your boat interact with water, creating a weak negative electrical field. This weak electrical current must be controlled to extend the life of the boat's metal parts and to ensure good fishing.
- For safety and compliance reasons, we recommend that you follow American Boat and Yacht Council (ABYC) standards when rigging your boat.
- For best results, consider having your downriggers installed by a qualified marine electrician.

RECOMMENDED ACCESSORIES

Cannon Power Cable
Flush Mount Power Port
Transducer



GET ON TRACK

If you want to be able to add and remove accessories, or quickly reconfigure at a moment's notice, Cannon's Aluminum Mounting Track System makes it fast and simple. Add rails anywhere you'd place downriggers, rod holders or other fishing hardware. Then take advantage of all the interchangeable accessories in the system.

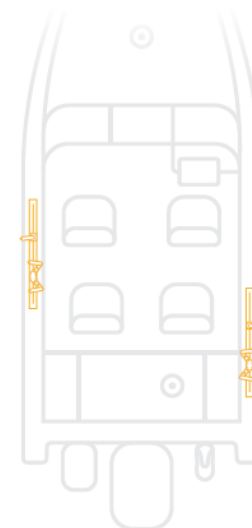
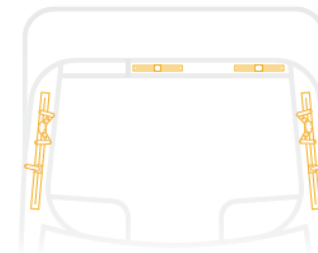
RECOMMENDED ACCESSORIES

Once you've determined possible locations for your downriggers, consider any mounting accessories you might need before making any permanent alterations to your boat. Some possibilities include:

- Universal Base
- Low-Profile Swivel Base
- Deck Plates
- Gimbal Mounts
- Clamp Mounts
- Side/Rail Mounts
- Dual Axis Adjustable Rod Holder
- Single Axis Adjustable Rod Holder
- Aluminum Mounting Track and Interchangeable Accessories

MOUNTING YOUR MANUAL

Just like electric downriggers, your first consideration for manual downrigger mounting is placement. Be sure the location is easily accessible, and if you're running multiple downriggers, that you can get a good spread for your lines. As always, carefully consider any accessories you might need before making any permanent changes to your boat.



RIGGING GUIDE

FISH SMARTER

You can count on your Cannon downrigger for years of dependable service, as well as a smarter design. Our goal is to eliminate every obstacle that gets between you and the fish. And if we can't eliminate it, we make it easier to overcome. Here are just a few ways Cannon works to make every moment you spend on the water more enjoyable.

CANNON EDGE DESIGN

Features fewer moving parts, one-piece composite construction, corrosion-resistant design and protected electronics to create an unstoppable fishing machine. All backed with a limited lifetime warranty.

DUAL AXIS ROD HOLDER

Quick one-handed angle adjustments, easy vertical positioning and full 360° rotation. Our unbeatable rod holder comes standard on every electric downrigger we make.



STAINLESS STEEL SPOOL*

Built to handle monofilament or popular "super lines" without snapping or breaking, and included on all of our Tournament Series (TS) electric downriggers.

ENCLOSED BOOM END

By enclosing the boom ends, we prevent line jumps - so you can enjoy uninterrupted fishing and easier operation.

LINE TERMINATORS

Cannon's downrigger cable terminator system is the strongest on the market, and incredibly easy to use. Once your line is in place, it's locked tight. Available as singles (Part No. 2250341) or as a kit with Cushion Cartridges, Cannon Terminators and Snap Swivels. (Part No. 2250002)

LINE RELEASES

Count on Cannon line releases for peak performance, with no line-damaging twisting, winding or looping. You'll find releases for both freshwater and saltwater, which are perfect for your style of fishing. For all our line releases, see pages 26-27.

360° SWIVEL BASE*

Unrivaled versatility to keep your downrigger perfectly positioned and your lines easily in reach. (Part No. 2207003 [Standard])



REMOVABLE SIDE PLATE

Easily access the spool to switch lines, fix snags and make adjustments on any electric downrigger.

*Available on select models